

LoopView is a two-wire (4 ÷ 20) mA loop indicator, loop powered and low power. Its excellent precision allows to indicate several measurements like pressure, differential pressure, flow, pH, temperature, acceleration and other. It has valve type connector standard EN 175301-803 (old DIN 43650) male and female. LoopView is powered by the current loop itself and allows to be inserted into sensors already installed in industrial facilities, with same connector type.



### Specification

#### Characteristic

- connector standard EN175301-803 (DIN 43650)
- 4-digit red LED display with adjustable indication
- easy configuration using keys
- access to password-protected configuration
- case: ABS (Gasket in Polyurethane), mechanic protection: IP65, NEMA4X

#### Input

- (4 ÷ 20) mA resolution of measurement 16 bit

#### Accuracy

- 0,5% of span
- thermal deviation: 0,003% per °C

#### Resolution on indication

- (from -1999 to 9999) with decimal point adjustment

#### Power supply

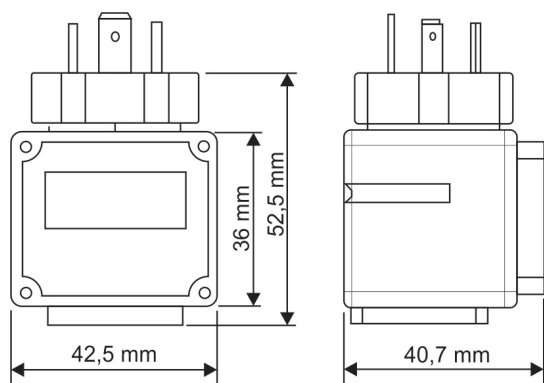
- loop (4 ÷ 20) mA, max. current loop 60 mA
- voltage drop on the loop: < 2,5 V for 4 mA and < 3 V for 20 mA

#### Operating conditions

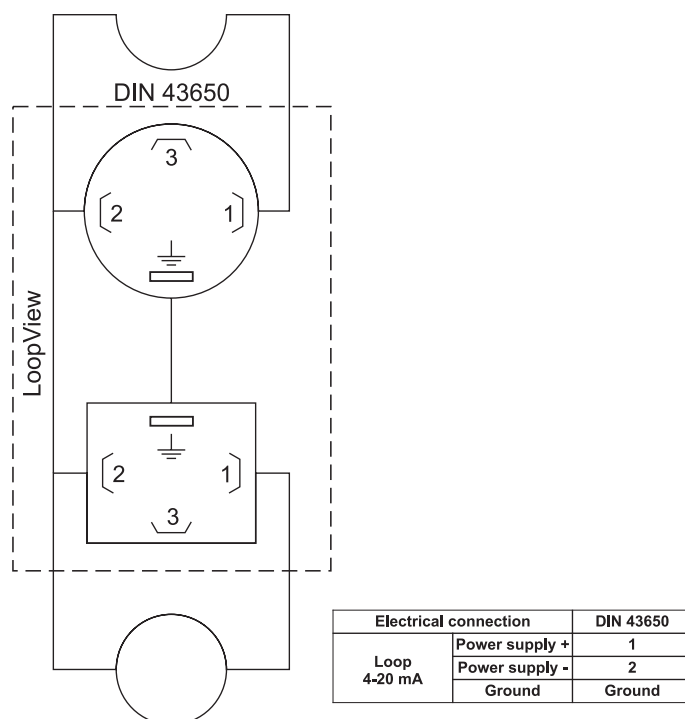
- temperature of operation: -40 to 85°C

#### Dimensions | Weight

65x45x45 mm | 54 g



### SCHEME OF CONNECTIONS



Ordering example:

**LoopView**