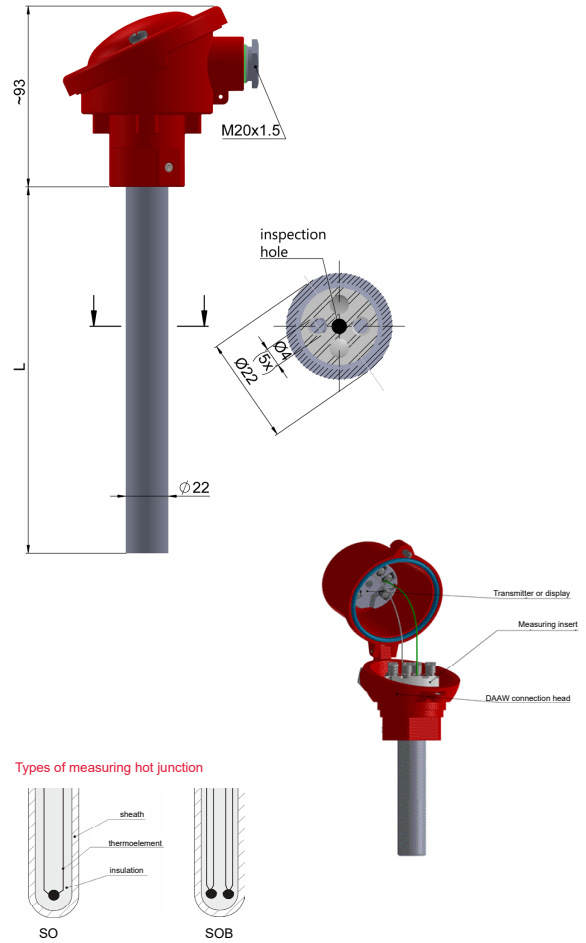


Temperature sensors with replaceable measuring inserts **TTJU-11, TTKU-11, TTJUO-11, TTKUO-11**

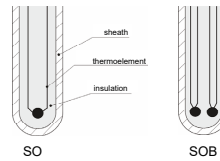
**Technical description**

Measuring range* / sensing element		
(-40 ÷ 750) °C	<b>J</b>	class 2
(-40 ÷ 1200) °C	<b>K</b>	class 2
Measuring insert – p. 47		
– thermoelectric wire insert WD-K/J-16		
– insert length: L <sub>w</sub> =L+35 mm		
– with control hole ø4 mm for type T...UO-11		
Sheath		
– material: creep-resisting steel 1.4841, max. temperature 1150 °C*		
– material: heat resisting steel 1.4762, max. temperature 1150 °C*		
– material: heat resisting steel 15Cr25T, max. temperature 1000 °C*		
– length L [mm]: 300+3000		
Connection head		
– AA, IP53, (-40 ÷ 100) °C		
– DAAW, IP65, (-40 ÷ 100) °C (for transmitter)		
Options		
– thermocouple J, K: class 1		
Additional accessories		
– temperature transmitters – p. 225+241		
– compensation cables – p. 197		
– mounting brackets – p. 216		

\* applies to clean air



Types of measuring hot junction



Tolerance for thermocouples class acc to. PN-EN 60584

Thermocouple	Class 1		Class 2	
	Range [°C]	Tolerance [°C]	Range [°C]	Tolerance [°C]
<b>J</b> Fe-CuNi	(-40+375) (375+750)	±1,5 ±0,004  t	(-40+333) (333+750)	±2,5 ±0,0075  t
<b>K</b> NiCr-NiAl	(-40+375) (375+1000)	±1,5 ±0,004  t	from (-40+333) (333+1200)	±2,5 ±0,0075  t

**Ordering code**

Temperature sensor	...	T	...	U	...	-	11-	...	..	...	...	...
Single												
Double												
With transmitter (only one circuit)												
Thermocouple Fe-CuNi												
Thermocouple NiCr-NiAl												
No control hole												
Control hole ø4												
Sheath length L [mm]												
Thermocouple class												
Material of the sheath												
Type of transmitter												
Setting of transmitter temperature												

\* or others acc. to requirements

**Ordering example**

TTJU-11-500-1-1.4841