

Temperature transmitter is an integral element of temperature sensor, available also as a separate component. It converts temperature sensor signal to analogue 4÷20mA, voltage 0÷10V or different signal. Transmitter can be placed directly in connection head or on TS-35mm rail.

Specification

Characteristic

- universal transmitter
- mounting in connection head BA: TxIsoPack-HART
- mounting on a 35mm rail: TxIsoRail-HART
- galvanic isolation input/output
- sensor error correction
- PC configurable via cable mini USB (option TxIsoPack)
- additional configuration set is not required
- simple parameters configuration

Output

- resistance: Pt100, Pt500, Pt1000, 2, 3, 4-wire,
- Ni100, Ni500, Ni1000 (5000 ppm /K and 6180 ppm /K),
- Cu50, Cu 100,
- 0 to 400Ω, 0 to 2000Ω, 0 to 10KΩ
- 10 to 75 mV, -100 to 100 mV, -100 to 500 mV, -100 to 200 mV
- thermocouple: J, K, T, N, E, R, S, B

Input type	Range	Min. span
Pt100	-200÷850°C	20°C
J	-210÷1200°C	50°C
K	-270÷1372°C	50°C
T	-270÷400°C	50°C
N	-270÷1300°C	50°C
E	-270÷1000°C	50°C
R	-50÷1768°C	500°C
S	-50÷1768°C	500°C
B	0÷1820°C	500°C

Output

4÷20mA, 2-wire, power in the loop

Accuracy

0,2% of range for Pt100
0,3% of range for thermocouple
temperature drift 0,003% of range/°C

Response time

100 ms

Galvanic isolation

1500V input/output

Lead wire connection

< 2,5mm²

Power supply

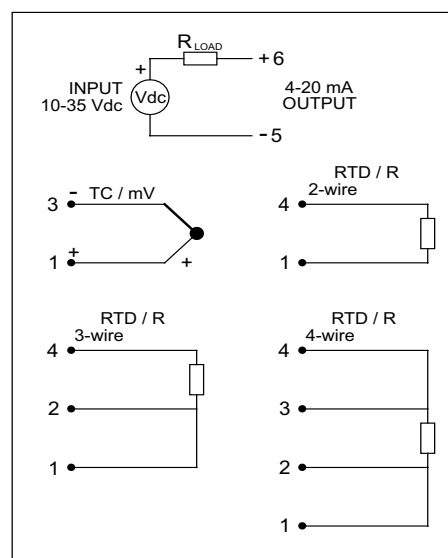
10÷35V DC

Operating conditions

temperature: -40÷85°C
humidity: up to 90% RH non-condensing



CONNECTION SCHEMES



Product code

		Transmitters version	
1		Pack-HART	head mounted
		Rail-HART	mounting on a 35mm rail
		Temperature range	
2		(0÷1000)°C	(0÷1000)°C
			other parameters acc. to requirements
		Input type	
3		Pt100	Pt100
		J	J
		K	K
		T	T
		N	N
		E	E
			other parameters acc. to requirements
		Additional equipment	
4		A	with adapter for 35mm rail mounting for TxIsoPack-HART

1 2 3 4

TxIso - - -

Ordering example:

Transmitters TxIsoPack-HART-(0÷550°C)-S