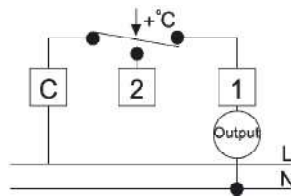
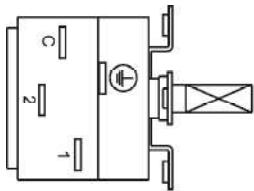
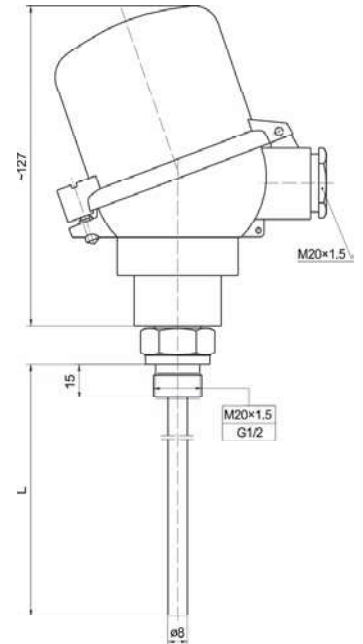
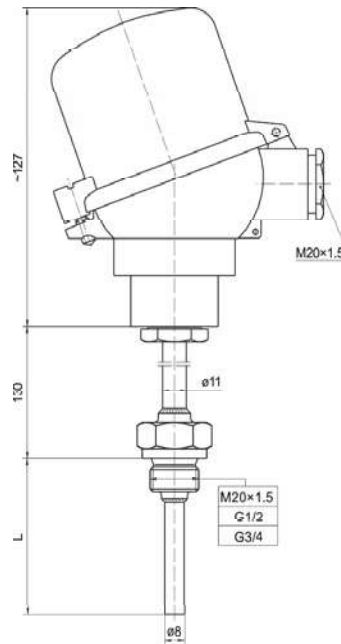
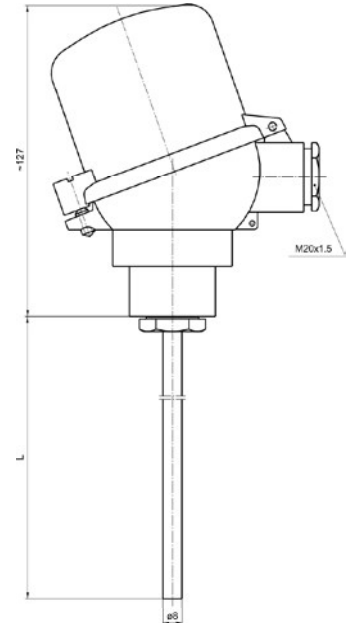


Thermostat LIM TMS

Technical description

Characteristic
– universal thermostat with aluminum head and steel cover stainless
Sheath
– diameter [mm]: $\varnothing 8$
– material: 1.4541 steel
Head
– DAAW1, IP65, $(-40 \div 100) ^\circ\text{C}$
Options
– min. immersion length [mm]: 150
– temperature setting knob
– hysteresis: $5 ^\circ\text{C}$
– SPDT switching (NO + NC)
– contact load NO (NC): 16(5) A 250 V, 10(1) A 400 V
– connectors: 6.3x0.8 mm flat plug



THERMOSTATS

G

Ordering code

Thermostat	LIM TMS	-	...	-	...	-	...	-	...
Construction:									
straight									I
with thread									GB
with thread and distance									GN
Sheath length L [mm]									250*
Thread size									G $\frac{1}{2}$; M20x1,5*
Temperature range:									
$(-35 \div 35) ^\circ\text{C}$									R2
$(0 \div 40) ^\circ\text{C}$									40
$(0 \div 90) ^\circ\text{C}$									90
$(0 \div 120) ^\circ\text{C}$									120
$(50 \div 220) ^\circ\text{C}$									220
$(50 \div 300) ^\circ\text{C}$									300

* Acc. to requirements

Ordering example

Thermostat LIM TMS-GB-250-M20x1,5-120