

Temperature Sensors for Heating Systems and Heat Engineering **TOPI-3P**

**Specification**

**Temperature range / sensing element**

0÷150°C **Pt100, Pt500** class B  
 0÷150°C temperature range for sensor pair  
 0÷150°C range of temperature difference

**Max. current value of the sensor**

1 mA

**Time constant  $T_{05}$**

<10s

**Sheath**

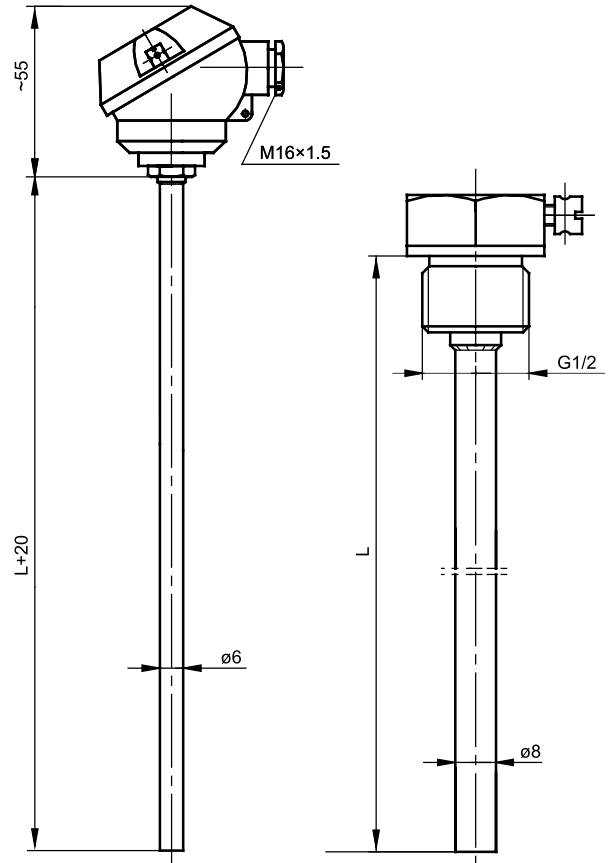
- thread dimension: G1/2B
- material: steel 1.4541
- max operating pressure: 2,5 MPa

**Connection head**

- MA, IP54, -40÷100 °C
- color: red (power supply), blue (return)

**Additional information**

- RTD sensors for use with thermal energy meters
- single sensors for mounting in an additional thermowell
- medium temperature measurement in heating systems
- stainless steel thermowell
- sensor pair with the Certificate of compliance with the Directive MID



**Ordering code**



Ordering example: **TOPI-3P-85-Pt500-4**